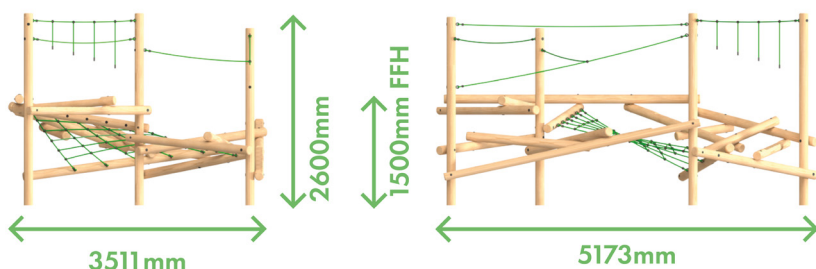
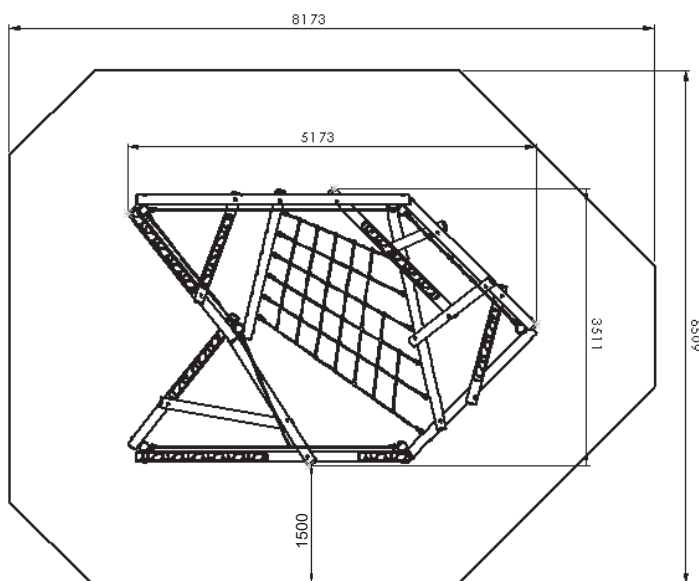
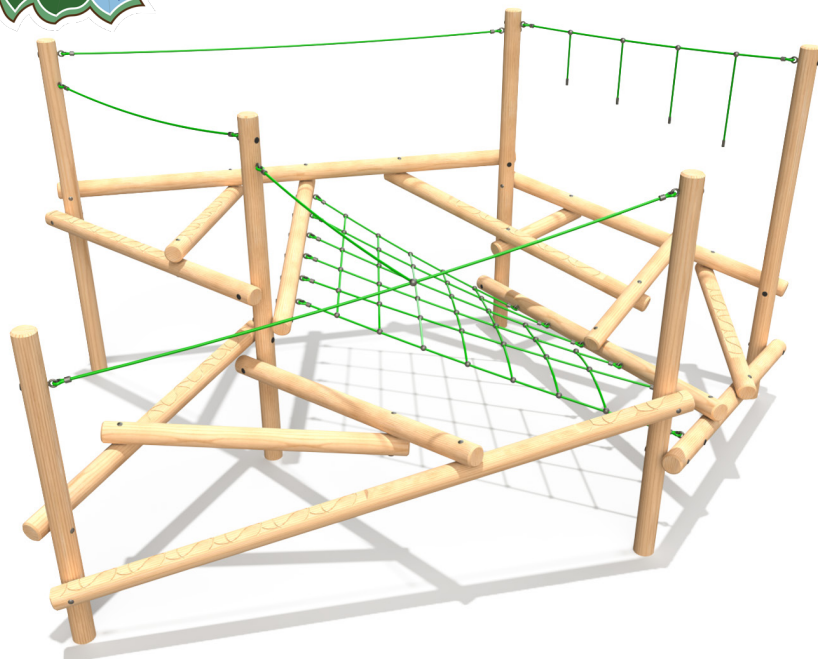


Clamber Stack[®] Impronta



Play Elements



Key Features

- Scramble Logs
- Balance Beams
- Support Ropes
- Drop Ropes
- Crawl Net
- Uniquely Patterned Timbers

Product Details

Length: 5173mm
 Width: 3511 mm
 Height: 2600mm
 FFH: 1500mm
 Steel Feet: Optional Extra

Surfing Details

Area: 45.92m²
 Length: 8173mm
 Width: 6509mm

Installation Information

Largest Part: 3.55 x 0.125m
(Timber Post)
 Longest Part: 3.55m
(Timber Post)
 Concrete Required: 0.36m³
 Spare Parts Available: Yes

Timber Information



All Evaround 10, Evaround 15 and Evalam timber used in A E Evans play equipment is sourced from sustainable forests. Evaround 10 and Evaround 15 timber can be FSC® certified (FSC® C 102594) on request.

- Evaround 10 Pine is kiln dried before being pressure treated and comes with a **10 year in-ground guarantee*** which makes it ideal for the UK Climate.
- Evaround 15 Pine from the Southern Hemisphere is kiln dried before being pressure treated and comes with a **15 year in-ground guarantee*** which makes it ideal for hot or wet environments.
- Evalam is Laminated timber glued according to EN 14080:2013, pressure treated and comes with a **15 year in-ground guarantee***, or **20 year guarantee* if installed with galvanised steel feet**. The manufacturing process involved reduces the naturally occurring stress in the timber to give an increased resilience against cracking, even when exposed to longer periods of direct sunlight and consistent high temperatures making it ideal for all environments.



In order to ensure the highest level of accuracy all timbers are machined on custom made 6 Axis CNC machines. Once fully machined and sanded all timber is pressure treated with the latest generation wood preservative to protect against wet rot, dry rot, and insect attack. Treatment meets BS EN 599 efficacy standards and follows BS EN 8417 guidance.

Rope Information



All ropes and nets are produced from 16mm diameter, steel core Polypropylene. Hot dip galvanised eyebolts secure the ropes to the timbers. Aluminium connectors as standard. All ropes and nets come with a **2 year guarantee***.

Fixings Information



A wide range of fixings are used throughout the product. These include galvanised CSH bolts, stainless steel anti tamper bolts, stainless steel washer flange screws and stainless steel torq screws.

All Nyloc nuts are enclosed using plastic caps or bolt covers. All fixings and caps come with a **2 year guarantee***.

*A E Evans are not responsible for any costs relating to the dismantling, uplifting any goods from site, reassembling, returning the goods to site, any additional transport costs or any consequential loss whatsoever. Full guarantee terms and conditions available on request.